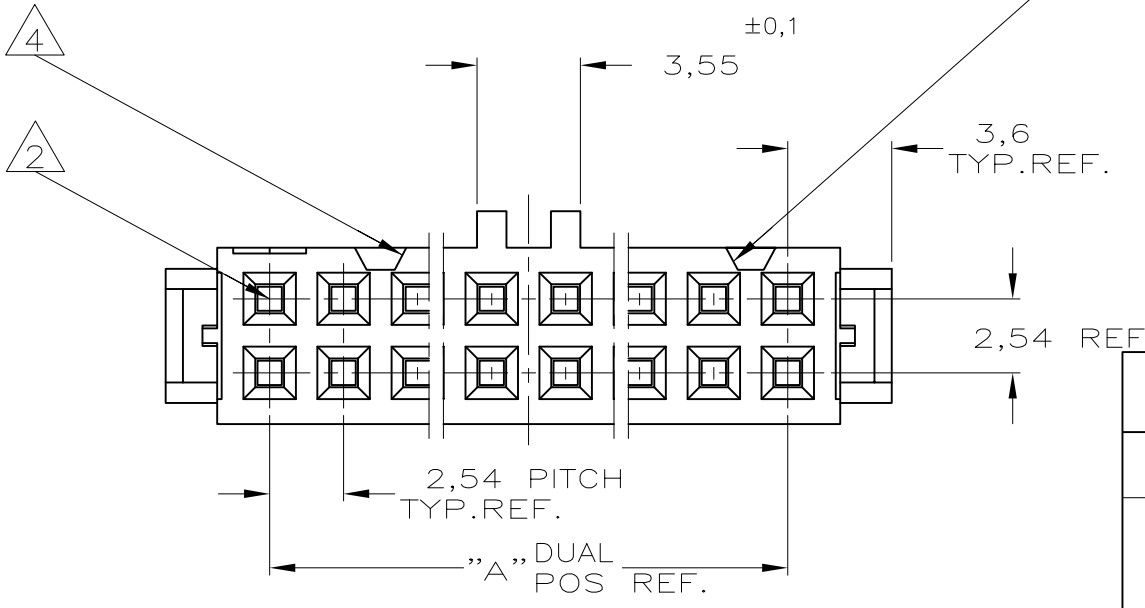
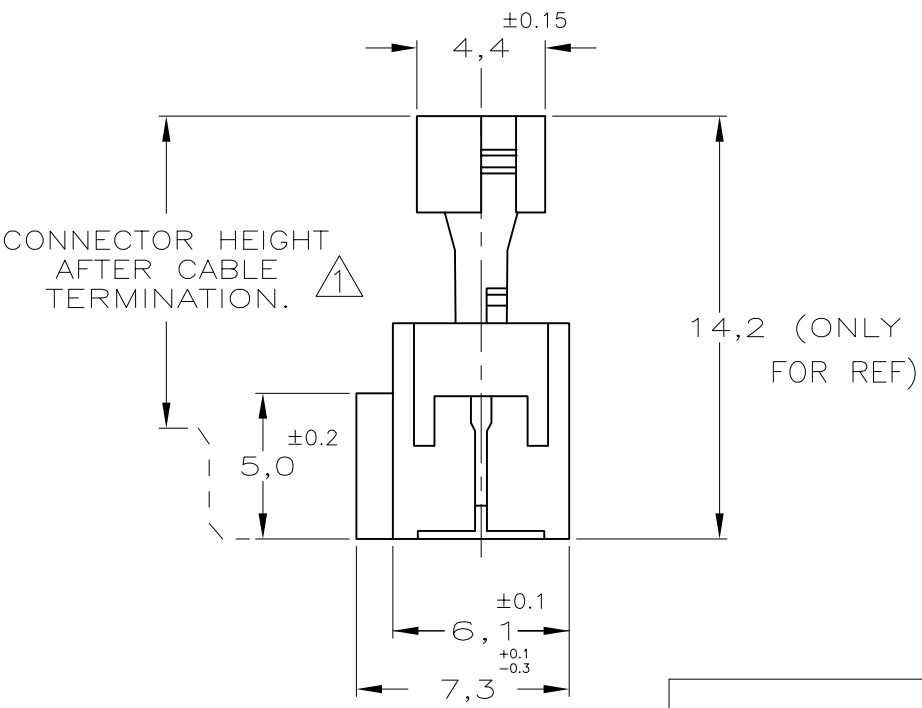
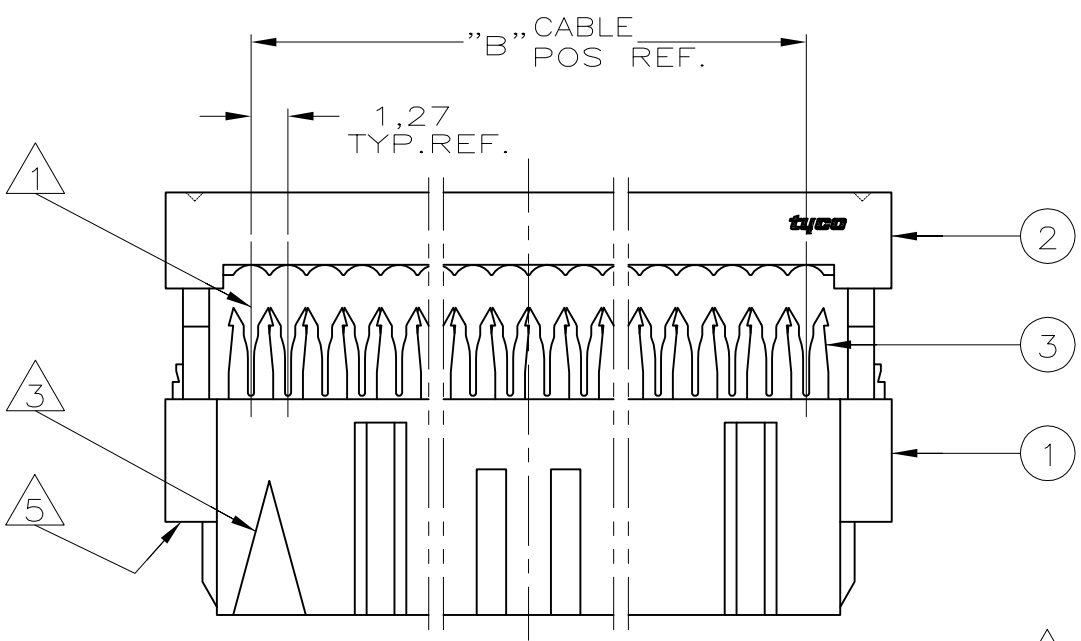
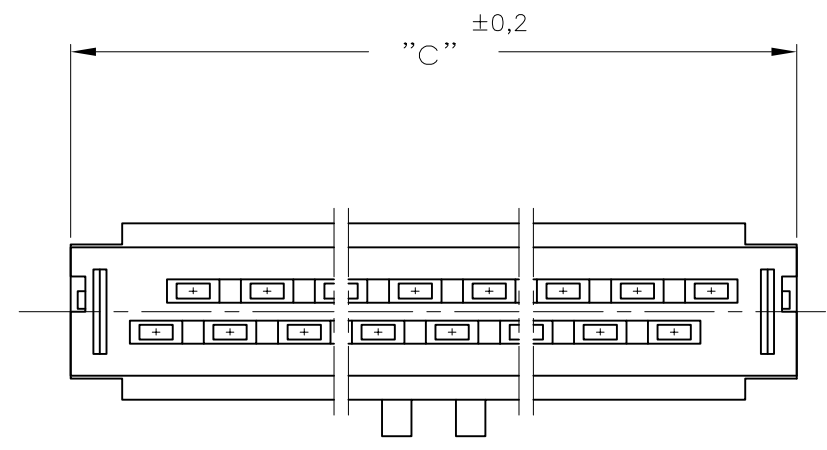


LOC	DIST	REVISIONS			
P	LTR	DESCRIPTION	DATE	DWN	APVD
J	-	E	ADDED PACKING INFORMATION	27JUN2012	Y.U T.K



NOTES:

- 1 CONNECTOR IS DESIGNED FOR FLAT RIBBON CABLE ON 1,27 CENTERS . FOR CABLE REQUIREMENTS SEE AMP APPLICATION SPECIFICATION 114-19022.
- 2 THESE RECEPTACLE CONNECTORS MATE WITH 0,64<sup>±0,05</sup> mm SQUARE OR ROUND POSTS ON 2,54mm GRID.
- 3 MARK INDICATING FIRST CABLE POSITION REFERRING TO CONTACT POSITION.
- 4 THERE IS NO POLARIZATION-SLOT AT THIS END IN 6, 10 AND 14 POS CONNECTORS.
- 5 THESE CONNECTORS CAN BE USED IN CONJUNCTION WITH STRAIN-RELIEF COVERS OF PARTNR: 182762.
- 6 THERE IS NO POLARIZATION-SLOT AT THIS END IN 6 POS CONNECTORS.
- 7 PRODUCT SPECIFICATION 108-19033.
- 8 OBSOLETE PARTS: OBSOLETE CIS STREAMLINING PER D.RENAUD/D.SINISI

	DIM."C"	"B" CABLE POS.	"A" DUAL POS.	PARTNUMBER	PART REV.
85,9	64	32	6-215911-4	D	
80,8	60	30	6-215911-0	D	
68,1	50	25	5-215911-0	D	
60,5	44	22	4-215911-4	D	
55,4	40	20	4-215911-0	D	
47,8	34	17	3-215911-4	D	
42,7	30	15	3-215911-0	D	
37,6	26	13	2-215911-6	D	
30,0	20	10	2-215911-0	D	
24,9	16	8	1-215911-6	D	
22,4	14	7	1-215911-4	D	
17,3	10	5	1-215911-0	D	
OBSOLETE	14,8	8	0-215911-8	C	
OBSOLETE	12,2	6	0-215911-6	D	
OBSOLETE	9,7	4	0-215911-4	C	

COMPONENT NAME	MATERIAL	PLATING / COLOUR
3 RECEPTACLE CONTACT	PHOSPHORBRONZE Cu Sn6	AT CONTACT-PLACE: 0,2µm GOLD AT WIRING END: 2,5µm TIN ENTIRE UNDERCOATING: 1,27µm NICKEL
2 COVER	THERMOPLASTIC POLYESTER UL 94 -V0	GREY RAL 7032 (ONLY FOR REF.)
1 HOUSING		

THIS DRAWING IS A CONTROLLED DOCUMENT.

DWN	W.R.VERBEET	04FEB1988
CHK	R.VERSTIJNEN	05FEB1988
APVD	L.V.SOEST	05FEB1988
PRODUCT SPEC	-	
APPLICATION SPEC	-	
WEIGHT	-	

**STE** TE Connectivity

AMP-LATCH\_MIL-TYPE  
RECEPTACLE\_CONNECTOR  
ASSEMBLY\_(SYMMETRIC\_COVER)

SIZE	CAGE CODE	DRAWING NO	RESTRICTED TO
A3	00779	C-215911	-

CUSTOMER DRAWING SCALE 4:1 SHEET 1 OF 2 REV E

4

3

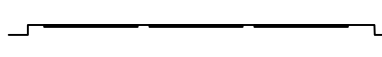
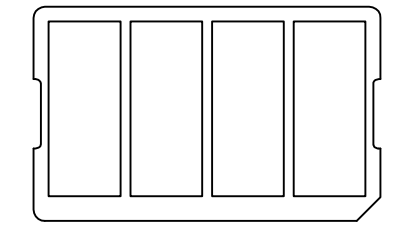
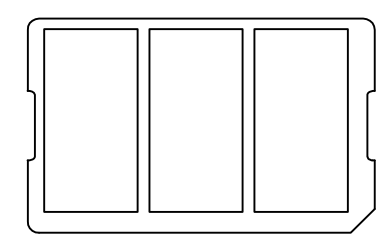
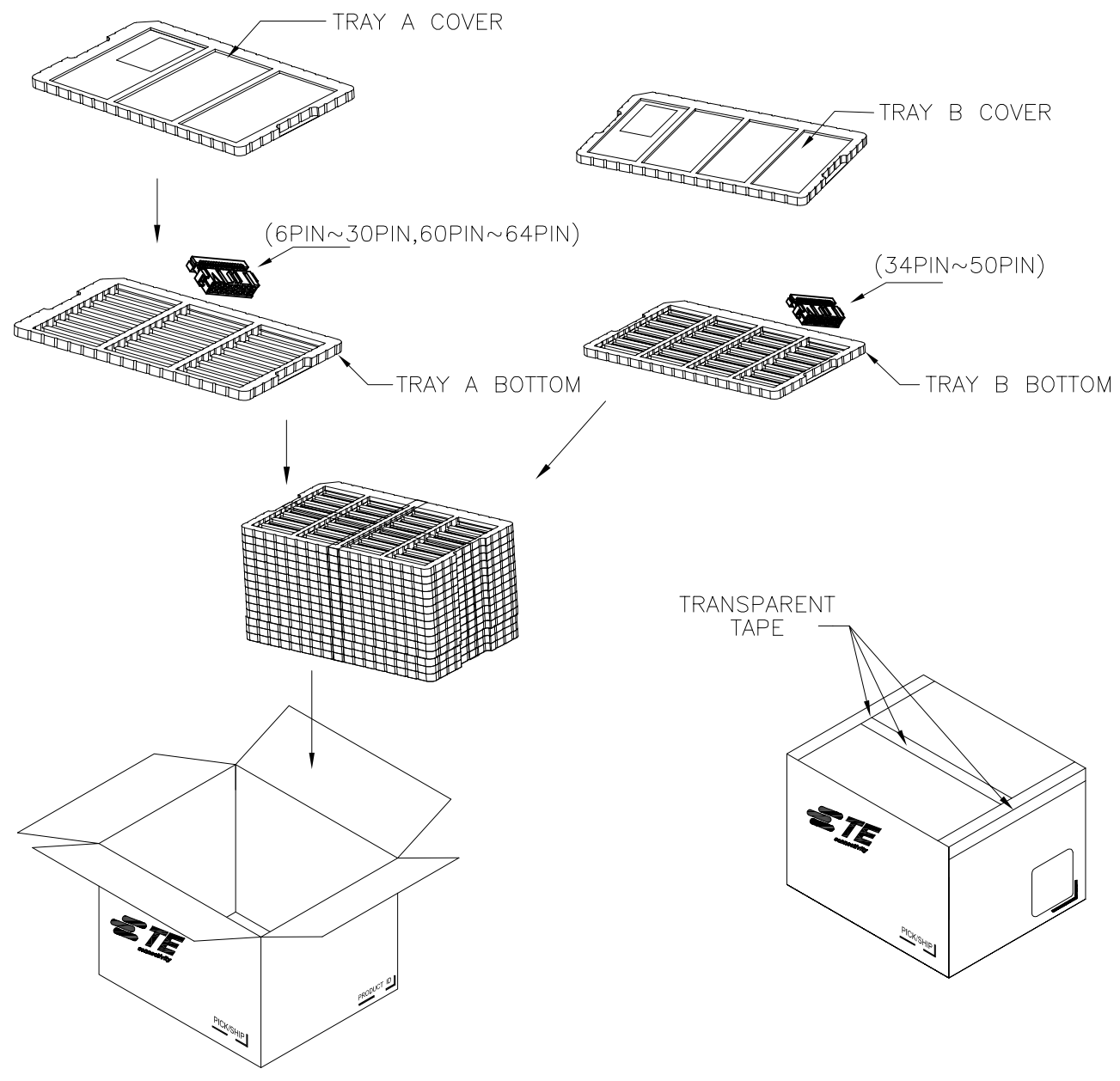
2

1

THIS DRAWING IS UNPUBLISHED. RELEASED FOR PUBLICATION  
© COPYRIGHT - By - ALL RIGHTS RESERVED.

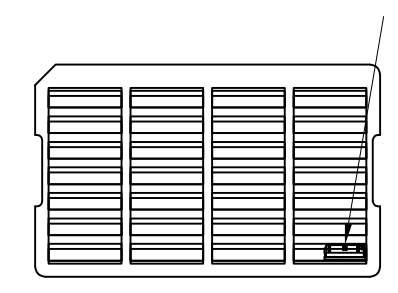
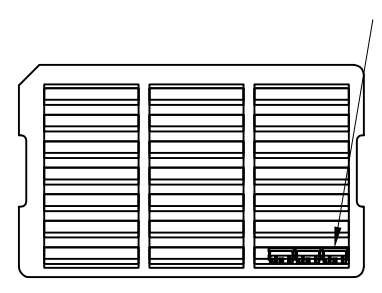
LOC	DIST	REVISIONS					
		P	LTR	DESCRIPTION	DATE	DWN	APVD
J	-	-	-	SEE SHEET 1	-	-	-

# PACKAGING SPECIFICATION



TRAY A COVER

TRAY B COVER



TRAY A BOTTOM

TRAY B BOTTOM

THIS DRAWING IS A CONTROLLED DOCUMENT.		DWN W.R.VERBEET.	04FEB1988	<b>STE</b> TE Connectivity	
		CHK R.VERSTIJNEN	05FEB1988		
		APVD L.V.SOEST	05FEB1988	NAME	
DIMENSIONS: mm		TOLERANCES UNLESS OTHERWISE SPECIFIED:		AMP-LATCH_MIL-TYPE RECEPTACLE_CONNECTOR ASSEMBLY_(SYMMETRIC_COVER)	
		0 PLC ± -		SIZE	
		1 PLC ± -		CAGE CODE	
		2 PLC ± -		DRAWING NO	
		3 PLC ± -		RESTRICTED TO	
		4 PLC ± -		A3 00779 C-215911	
		ANGLES ± -		SCALE	
MATERIAL		FINISH		SHEET	
				2 OF 2	
				REV E	
				CUSTOMER DRAWING	